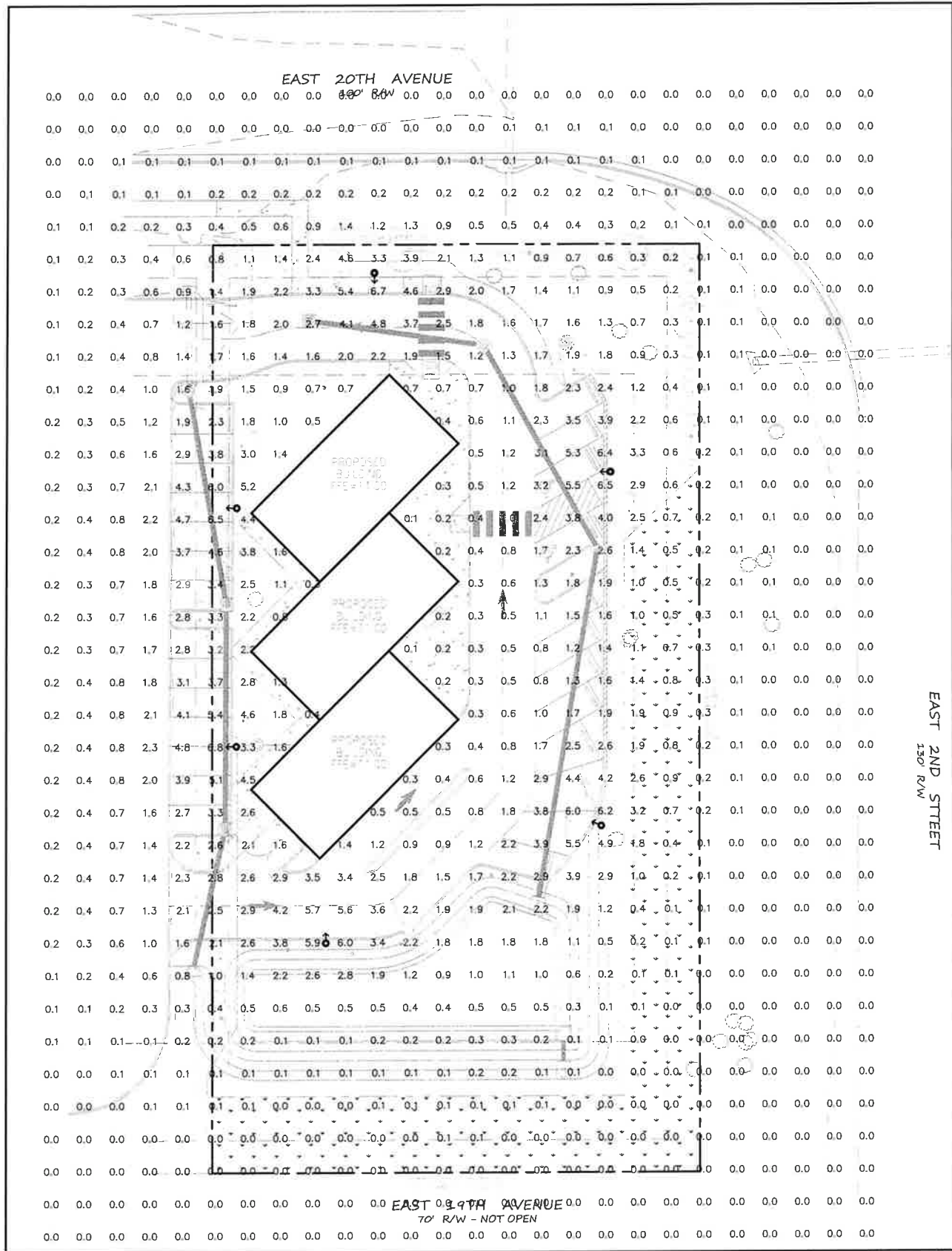


LUMINAIRE SCHEDULE									
CALLOUT	SYMBOL	LAMP	BALLAST	MOUNTING	MODEL	VOLTS	NOTE 3	QUANTITY	DEFAULT ELEVATION
POLE		(1)	ELECTRONIC	POLE	Visionaire Lighting LLC	120V 1P 2W	Visionaire Lighting Photometric Laboratory, 08/31/2020, 06/04/20, 14235, 120 VAC, 148W, B3-U2-G3	6	18'-0"



1 SITE LIGHTING PLAN
Scale: 1" = 20'

STRUCTURAL ENGINEERING NOTE
 STRUCTURAL ENGINEERING DESIGN IS NEITHER EXPRESSED NOR IMPLIED IN THIS DRAWING. STRUCTURAL ENGINEERING DESIGN RESPONSIBILITY IS DELEGATED TO THE CONTRACTOR, AND SHALL BE DONE BY A PROFESSIONAL ENGINEER OR OTHER QUALIFIED PROFESSIONAL AS REQUIRED FOR CODE COMPLIANCE, PERMITTING, ETC.

LUSSO ARRAY M-PT LED Specifications

Project Name: _____
 Catalog Number: _____
 Type: _____

Contemporary design meets the new generation of LED green technology in the stunning luminaire, the Lusso Array. The Lusso Array series provides over 80 percent energy savings over traditional HID light sources and offers excellent beam control and LED life beyond 100,000 hours for 1,400 milirho systems. The Lusso Array is offered in ten optical distributions.

The Lusso Array is fully sealed housing features an exceptionally well-designed thermal management system that provides superior heat dissipation.

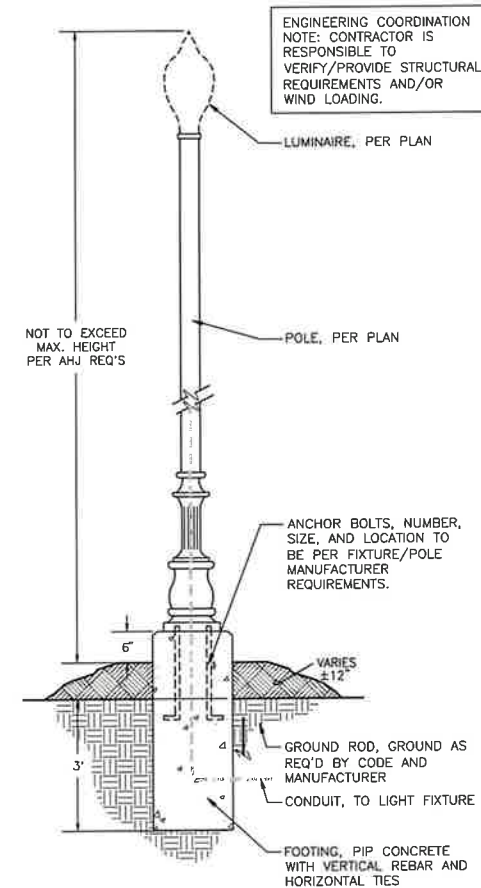
The Lusso Array fixture is built with cast aluminum.

The Lusso Array is the perfect complement to any university campus, business park, or walkway project where contemporary architectural design is desired.

Ordering Information

MODEL	OPTICS	LUMENS	KELVIN	VOLTAGE	MOUNTING	FINISH	OPTIONS	OPTIONS
LSO-M	T3L	20L	3K	UNV	PTS	TBD	PCR-120	CLS
LSO-M	T1 Type 1	5L	3K	120-277V	PTS Post Top Single Arm	BK Black	PCR-120 Motion Sensor 8' Mounting Height	WSC-8 Motion Sensor 8' Mounting Height
	T2 Type 2	10L	4K	347V	SBK Smooth Black	PCR-240	PCR-240	
	T3 Type 3	15L	4K	347V	PTD Post Top Double Arm	BZ Bronze	PCR-277	WSC-20 Motion Sensor 9-20' Mounting Height
	T4 Type 4	20L	8K	5-240V	GP Graphite	PCR-400	PCR-400 Photocell & Photocell	
	T4L Type 4 Long	25L	8K	5-240V	GY Grey	PER SPINPER	PER SPINPER	WSC-40 Motion Sensor 21-40' Mounting Height
	T4A Type 4 Automotive				SL Silver Metallic	THINPER 3.5' Off Pin Photo	THINPER 3.5' Off Pin Photo	
	T4L Type 4 Long				WH White	WH White	WH White	
	TSLR Type 5 Long Round				SWH Smooth White	DIM 0-10V Dimming Driver	DIM 0-10V Dimming Driver	CLS Cast Aluminum Shield
	TSLS Type 5 Long Square				FG Forest Green	FG Forest Green	FG Forest Green	ROT-R Rugged Optics Right Side
	TSSR Type 5 Short Round				VD Verdigris Green	VD Verdigris Green	VD Verdigris Green	ROT-L Rugged Optics Left Side
					CC Custom Color	CC Custom Color	CC Custom Color	

VISIONAIRE LIGHTING



2 STREET LIGHT DETAIL
1/2" = 1'-0"

NOT FOR CONSTRUCTION
 THESE PLANS HAVE NOT BEEN APPROVED AND ARE SUBJECT TO CHANGE.

A Landscape Development Plan for
Uptown Plaza East
 Gulf Shores, Alabama

Revisions

No.	Date	Revisions / Submissions
11.29.21		PERMIT SUBMITTAL
01.28.22		PERMIT RESUBMITTAL
02.14.22		PERMIT RESUBMITTAL
02.18.22		PERMIT RESUBMITTAL

© Copyright 2021 WAS Design Inc. These documents and their contents are the property of WAS Design. Any reproductions, revisions, modifications or use of these documents without the express written consent of WAS Design is prohibited by law.

BH Drawn
 DM Project Manager
 LCW Principal
 213318-012 Project No.
 11.23.21 Date

Registration
 STATE OF ALABAMA
 REGISTERED LANDSCAPE ARCHITECT
 MEMBER 518

Sheet Title

SITE LIGHTING PLAN

Sheet No.

LE100

265613-01



FLOOR PLAN
 5,400 S.F. - TOTAL

UPTOWN PLAZA EAST
 EAST 20TH & CANAL ROAD
 GULF SHORES, AL 36542
 CONCEPT FLOOR PLAN

JOB NUMBER:

211050

DATE:

11.20.2021

DRAWN: CG

CHECKED: CG

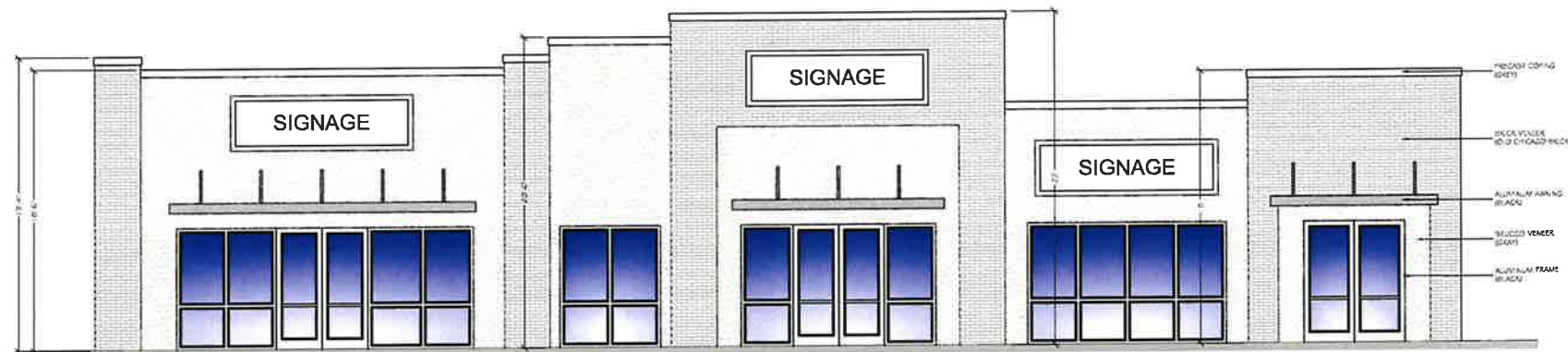
REVISION:

SCALE:

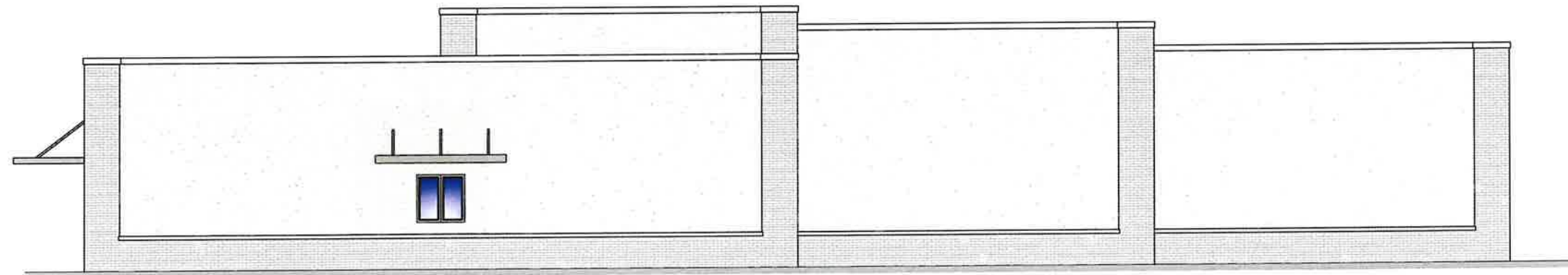
3/16" = 1'-0"

SHEET NO:

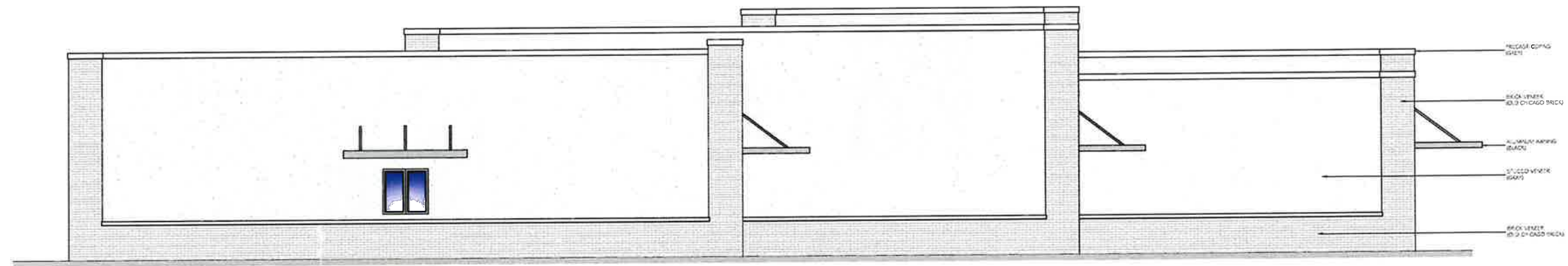
01
 OF
02



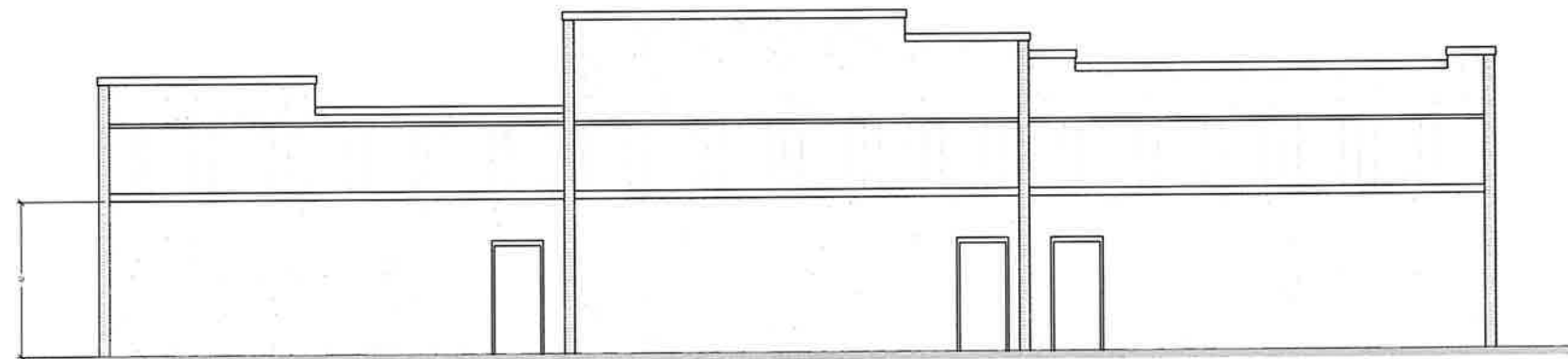
NORTH EAST ELEVATION



NORTH WEST ELEVATION



SOUTH EAST ELEVATION



SOUTH WEST ELEVATION

UPTOWN PLAZA EAST
 EAST 20TH & CANAL ROAD
 GULF SHORES, AL 36542
 CONCEPT BUILDING ELEVATIONS

JOB NUMBER:	211051
DATE:	11.20.2021
DRAWN:	CG
CHECKED:	CG
REVISION:	
SCALE:	3/16" = 1'-0"
SHEET NO:	02 OF 02